

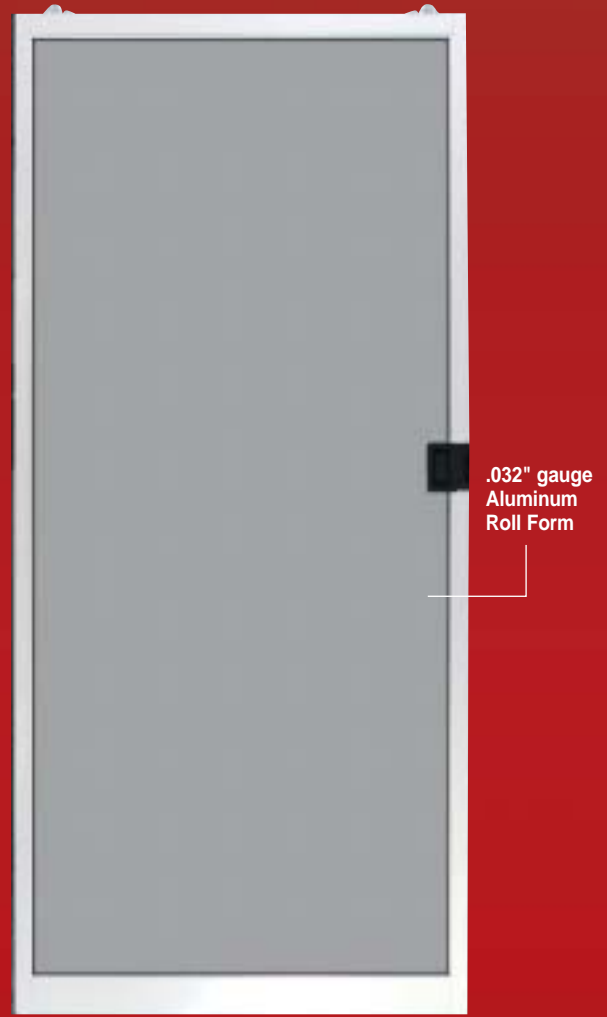


SELECT Sliding Patio Screen Door

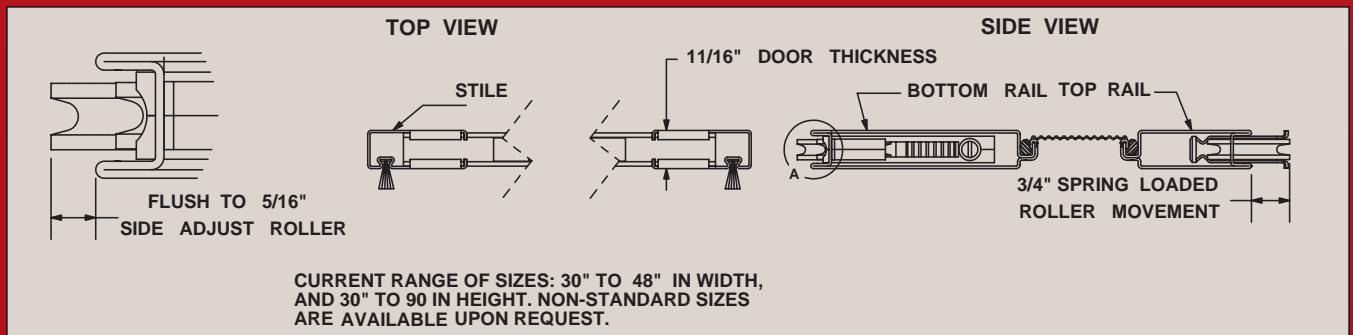


EXTERIOR

Aluminum or fiberglass screen mesh



INTERIOR



FEATURES:

- Precision roll formed .032 gauge aluminum frames with tough polyester painted finish

2" wide stiles and top rail

Large 3 1/2" tall bottom rail

Patented interlocking square corner construction with precision fabrication and crimped joints

- Insect screening splined into frame
- Fiberglass insect screening is standard
- Aluminum insect screening is optional
- Black mated inside and outside handles

- Patented edge adjust rollers on bottom rail

- Spring loaded rollers on top rail

- Polypropylene pile bug seal

BENEFITS:

Robust long life frame resists weathering effects and abuse

Reduces damage to screen cloth due to accidental kicking

Aesthetic match for prime door panel, tight stronger joints reduce flat racking of frames.

Replaceable insect screening

Tough, resilient, without denting

Reduces accidental cutting with sharp objects

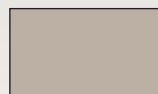
Tough weather resistant handle with plated steel lock arm

Smooth, quiet, easy rolling rollers, provides adjustment to allow for out of square or bowed frame members and has a retracted shipping position to assist in installation. No fasteners to inhibit easy field replacement.

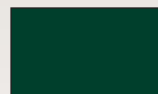
Provides anti-jump resistant feature for bottom rollers from sill track

Durable, resists weathering effects

BASIC COLOR CHOICES (Additional colors available upon request)



Desert Sand #082



Green #021



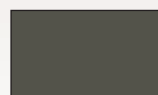
Red #028



White #038



French Vanilla #017



Bronze #005



HOMESHIELD

311 W. Coleman St.

Rice Lake, Wisconsin 54868

PHONE 715-234-9061

FAX 715-234-9061

www.home-shield.com

Homesield Locations:

